

REACH 21

권장 치수

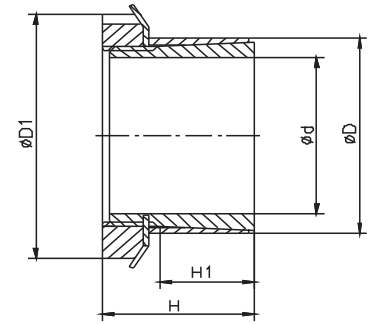
Recommended Dimensions:

축: h8 Shaft: h8

허브: H8 Hub: H8

JB/T 7934 Z19B 표준과 유사

Similar to JB/T 7934 Z19B Standard



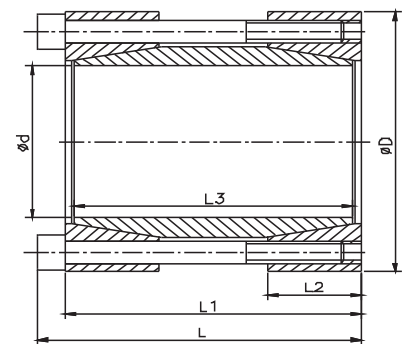
치수 Dimensions					전달된 축 방향의 힘 Transmitted Axial Force	전달된 토크 Transmitted Torque	접촉 압력 Contacting Pressure		홈볼어 너트 Slotted Nut		
							축 Shaft	허브 Hub	수량	규격 Size	잠금 토크 Locking Torque
d	D	D1	H	H1	Ft	Mt	P	P1	n	Size	Ts
mm	mm	mm	mm	mm	KN	Nm	N/mm ²	N/mm ²			Nm
15	25	32	31	20	9	77	91	55	1	M20x1	95
18	30	38	33	21	13	125	98	59	1	M25x1.5	160
19	30	38	33	21	13	132	93	59	1	M25x1.5	160
20	30	38	33	21	13	139	88	59	1	M25x1.5	160
24	35	45	38	25	15	202	74	51	1	M30x1.5	220
25	35	45	38	25	15	210	71	51	1	M30x1.5	220
28	40	52	44	28	20	312	76	53	1	M35x1.5	340
30	40	52	44	28	20	335	71	53	1	M35x1.5	340
35	45	58	45	28	25	483	75	58	1	M40x1.5	480
40	50	65	46	28	31	696	82	66	1	M45x1.5	680
45	55	70	47	28	36	902	84	69	1	M50x1.5	870
50	60	75	47	28	37	1014	77	64	1	M55x2	970
55	65	80	48	28	38	1158	73	61	1	M60x2	1100
60	70	85	50	28	41	1379	73	62	1	M65x2	1300

REACH 22

권장 치수

Recommended Dimensions:

축: h8 Shaft: h8



치수 Dimensions						전달된 축 방향의 힘 Transmitted Axial Force	전달된 토크 Transmitted Torque	접촉 압력 Contacting Pressure		GB70-85-12.9 잠금 나사 GB70-85-12.9 Locking Screw		
								축 Shaft		수량	규격 Size	잠금 토크 Locking Torque
d	D	L	L1	L2	L3	Ft	Mt	P		n	Size	Ts
mm	mm	mm	mm	mm	mm	KN	Nm	N/mm ²				Nm
15	45	56	50	16	44	21	158	188		4	M6X45	17
16	50	56	50	16	44	21	168	176		4	M6X45	17
17	50	56	50	16	44	21	179	166		4	M6X45	17
18	50	56	50	16	44	21	190	157		4	M6X45	17
19	50	56	50	16	44	21	200	149		4	M6X45	17
20	50	56	50	16	44	21	211	141		4	M6X45	17
24	55	66	60	18.5	54	32	378	144		6	M6X55	17
25	55	66	60	18.5	54	32	394	138		6	M6X55	17
28	60	66	60	18.5	54	32	442	123		6	M6X55	17



치수 Dimensions						전달된 축 방향의 힘 Transmitted Axial Force	전달된 토크 Transmitted Torque	접촉 압력 Contacting Pressure		DIN912-12.9 잠금 나사 GB70-85-12.9 Locking Screw		
d	D	L	L1	L2	L3			축 Shaft	수량 n	규격 Size	잠금 토크 Locking Torque	
mm	mm	mm	mm	mm	mm	Ft KN	Mt Nm	P N/mm ²			Ts Nm	
30	60	66	60	18.5	54	32	473	115	6	M6X55	17	
32	63	66	60	18.5	54	32	505	108	6	M6X55	17	
35	75	83	75	22	67	39	682	98	4	M8X70	42	
38	75	83	75	22	67	39	741	90	4	M8X70	42	
40	75	83	75	22	67	39	780	86	4	M8X70	42	
42	78	83	75	22	67	39	819	82	4	M8X70	42	
45	85	93	85	24.5	76	59	1317	101	6	M8X80	42	
48	90	93	85	24.5	76	59	1405	95	6	M8X80	42	
50	90	93	85	24.5	76	59	1463	91	6	M8X80	42	
55	94	93	85	24.5	76	78	2147	110	8	M8X80	42	
60	100	93	85	24.5	76	78	2343	101	8	M8X80	42	
65	105	93	85	24.5	76	78	2538	93	8	M8X80	42	
70	115	110	100	29	90	93	3239	87	6	M10X95	83	
75	120	110	100	29	90	93	3471	81	6	M10X95	83	

REACH 33

권장 치수

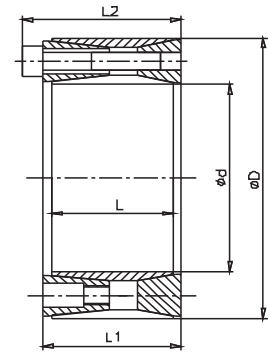
Recommended Dimensions:

축: h8 Shaft: h8

허브: H8 Hub: H8

JB/T 7934 Z4 표준에 적합

Satisfy JB/T 7934 Z4 Standard



치수 Dimensions					전달된 축 방향의 힘 Transmitted Axial Force	전달된 토크 Transmitted Torque	접촉 압력 Contacting Pressure		DIN912-12.9 잠금 나사 DIN912-12.9 Locking Screw		
d	D	L	L1	L2			축 Shaft	허브 Hub	수량 n	규격 Size	잠금 토크 Locking Torque
mm	mm	mm	mm	mm	Ft KN	Mt Nm	P N/mm ²	P1 N/mm ²			Ts Nm
70	120	56	62	74	197	6850	201	117	8	M12X55	145
80	130	56	62	74	291	11650	263	162	12	M12X55	145
90	140	56	62	74	290	13000	234	150	12	M12X55	145
100	160	74	80	94	389	19700	213	133	12	M14X70	230
110	170	74	80	94	483	26600	242	157	14	M14X70	230
120	180	74	80	94	483	28900	222	148	15	M14X70	230
130	190	74	80	94	483	31200	205	140	15	M14X70	230
140	200	74	80	94	574	40200	227	159	17	M14X70	230
150	210	74	80	94	574	42900	212	152	18	M14X70	230
160	230	88	94	110	800	64000	227	158	17	M16X80	355
170	240	88	94	110	800	67800	214	152	18	M16X80	355
180	250	88	94	110	923	83000	235	170	20	M16X80	355
190	260	88	94	110	923	88000	223	163	21	M16X80	355
200	270	88	94	110	1050	105000	242	179	23	M16X80	355
220	300	110	116	134	1120	123000	189	138	21	M18X100	485
240	320	110	116	134	1280	153000	198	148	24	M18X100	485
250	330	110	116	134	1282	160200	205	157	27	M18X100	485
260	340	110	116	134	1430	186000	205	157	27	M18X100	485
280	370	130	136	156	1650	230000	192	145	24	M20X110	690
300	390	130	136	156	1650	245000	179	138	24	M20X110	690