



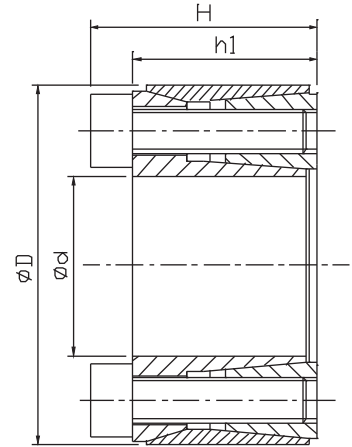
## REACH 16

권장 치수

Recommended Dimensions:

축: h8 Shaft: h8

허브: H8 Hub: H8



치수 Dimensions				전달된 축 방향의 힘 Transmitted Axial Force	전달된 토크 Transmitted Torque	접촉압력 Contacting Pressure		DIN912-12.9 잠금 나사 DIN912-12.9 Locking Screw		
Φd	ΦD	H	h1			축 Shaft	허브 Hub	수량 n	규격 Size	잠금 토크 Locking Torque
mm	mm	mm	mm	Ft KN	Mt Nm	P N/mm <sup>2</sup>	P1 N/mm <sup>2</sup>			Ts Nm
16	32	22	18	8	66	93	47	4	M4x16	5.1
18	40	24	18	18	165	185	83	4	M6x16	17
19	41	24	18	18	174	176	81	4	M6x16	17
20	42	24	18	18	183	167	79	4	M6x16	17
22	44	24	18	18	201	152	76	4	M6x16	17
24	46	24	18	27	329	209	109	6	M6x16	17
25	47	24	18	27	343	200	106	6	M6x16	17
28	50	24	18	27	384	179	100	6	M6x16	17
30	52	24	18	27	412	167	96	6	M6x16	17
32	54	24	18	27	439	156	93	6	M6x16	17
35	57	28	21.5	27	480	117	72	6	M6x18	17
36	58	28	21.5	36.5	659	151	94	8	M6x18	17
38	60	28	21.5	36.5	695	143	91	8	M6x18	17
40	62	28	21.5	36.5	732	136	88	8	M6x18	17
42	70	36	28	68	1427	185	111	8	M8x25	42
45	73	36	28	68	1529	172	106	8	M8x25	42
48	76	36	28	68	1631	161	102	8	M8x25	42
50	78	36	28	68	1699	155	99	8	M8x25	42
55	83	36	28	68	1869	141	93	8	M8x25	42
60	88	36	28	68	2039	129	88	8	M8x25	42
65	93	45	35	68	2208	93	65	8	M8x25	42
70	105	45	35	107	3759	137	91	8	M10x30	83
75	110	45	35	107	4027	128	87	8	M10x30	83
80	115	45	35	107	4296	120	83	8	M10x30	83
85	120	45	35	134	5705	141	100	10	M10x30	83
90	125	45	35	134	6041	133	96	10	M10x30	83
100	138	45	35	134	6712	120	87	10	M10x30	83