

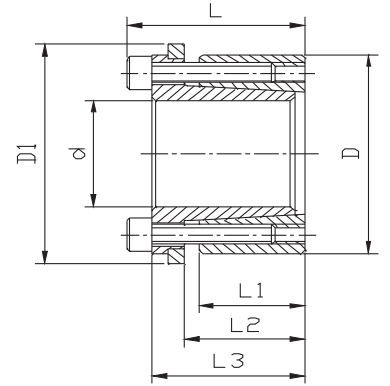
# REACH 06

권장치수

Recommended Dimensions:

축 : h8 Shaft: h8

허브 : H8 Hub: H8



차수 Dimensions							전달된 축 방향의 힘 Transmitted Axial Force	전달된 토크 Transmitted Torque	접촉 압력 Contacting Pressure		DIN912-12.9 잠금 나사 DIN912-12.9 Locking Screw		
Φd	ΦD	ΦD1	L1	L2	L3	L			축 Shaft	허브Hub	수량 n	규격 Size	잠금 토크 Locking Torque
mm	mm	mm	mm	mm	mm	mm	P	P1	Ts				
							KN	Nm	N/mm <sup>2</sup>	N/mm <sup>2</sup>		Nm	
19	47	53	26	31	39	45	21	202	127	51	4	M6x20	17
20	47	53	26	31	39	45	21	213	121	51	4	M6x20	17
22	47	53	26	31	39	45	21	234	110	51	4	M6x20	17
24	50	56	26	31	39	45	32	384	151	73	6	M6x20	17
25	50	56	26	31	39	45	32	400	145	73	6	M6x20	17
28	55	61	26	31	39	45	32	448	129	66	6	M6x20	17
30	55	61	26	31	39	45	32	480	121	66	6	M6x20	17
32	60	66	26	31	39	45	43	683	151	81	8	M6x20	17
35	60	66	26	31	39	45	43	747	138	81	8	M6x20	17
38	65	71	26	31	39	45	43	811	127	74	8	M6x20	17
40	65	71	26	31	39	45	43	853	121	74	8	M6x20	17
42	75	81	30	36	47	55	58	1216	135	76	6	M8x30	41
45	75	81	30	36	47	55	58	1302	126	76	6	M8x30	41
48	80	86	30	36	47	55	58	1389	119	71	6	M8x30	41
50	80	86	30	36	47	55	58	1447	114	71	6	M8x30	41
55	85	91	30	36	47	55	77	2124	138	89	8	M8x30	41
60	90	96	30	36	47	55	77	2317	127	84	8	M8x30	41
65	95	101	30	36	47	55	77	2510	117	80	8	M8x30	41
70	110	116	40	46	57	67	125	4381	132	84	8	M10x35	83
75	115	121	40	46	62	72	125	4694	123	80	8	M10x35	83
80	120	126	40	46	62	72	125	5007	115	77	8	M10x35	83
85	125	131	40	46	62	72	156	6651	136	92	10	M10x35	83
90	130	136	40	46	62	72	156	7042	128	89	10	M10x35	83
95	135	141	40	46	62	72	156	7433	121	85	10	M10x35	83
100	145	151	46	52	77	89	182	9104	117	81	8	M12x45	145
110	155	161	46	52	77	89	182	10015	106	75	8	M12x45	145
120	165	171	46	52	77	89	228	13653	122	88	10	M12x45	145
130	180	186	46	52	77	89	273	17747	135	97	12	M12x45	145
140	190	196	51	59	84	98	248	17328	102	75	8	M14x45	230
150	200	206	51	59	84	98	309	23207	119	89	10	M14x45	230
160	210	216	51	59	84	98	309	24754	112	85	10	M14x45	230
170	225	231	51	59	84	98	371	31561	126	95	12	M14x45	230
180	235	241	51	59	84	98	371	33417	119	91	12	M14x45	230
190	250	256	51	59	84	98	464	44097	141	107	15	M14x45	230



REACH 06

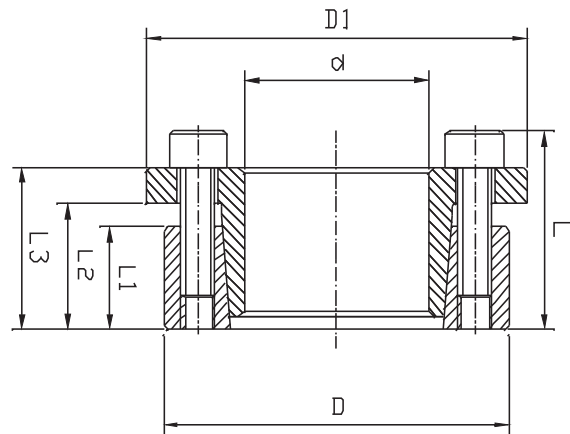
치수 Dimensions							전달된 축 방향의 힘 Transmitted Axial Force	전달된 토크 Transmitted Torque	접촉 압력 Contacting Pressure		DIN912-12.9 잠금 나사 DIN912-12.9 Locking Screw		
Φd	ΦD	ΦD1	L1	L2	L3	L			축 Shaft	허브 Hub	수량 n	규격 Size	잠금 토크 Locking Torque
mm	mm	mm	mm	mm	mm	mm	Ft KN	Mt Nm	P N/mm <sup>2</sup>	P1 N/mm <sup>2</sup>			Ts Nm
200	260	266	51	59	84	98	464	46418	134	103	15	M14x45	230
220	285	291	64	72	100	116	501	55147	105	81	12	M16X60	355
240	305	311	64	72	100	116	627	75207	120	95	15	M16X60	355
260	325	331	64	72	100	116	752	97775	133	107	18	M16X60	355
280	355	361	75	83	123	141	812	113657	114	90	16	M18X80	485
300	375	381	75	83	123	141	913	136987	120	96	18	M18X80	485
320	405	411	90	98	142	162	1170	187177	120	95	18	M20X100	690
340	425	431	90	98	142	162	1365	232015	132	105	21	M20X100	690
360	455	461	110	118	166	188	1433	257988	107	84	18	M22X110	930
380	475	481	110	118	166	188	1672	317711	118	94	21	M22X110	930
400	495	501	100	118	166	188	1672	334433	123	100	21	M22X110	930

REACH 07

권장치수  
Recommended Dimensions:

축 : h8 Shaft: h8

허브 : H8 Hub: H8



치수 Dimensions							전달된 축 방향의 힘 Transmitted Axial Force	전달된 토크 Transmitted Torque	접촉 압력 Contacting Pressure		DIN912-12.9 잠금 나사 DIN912-12.9 Locking Screw		
Φd	ΦD	ΦD1	L1	L2	L3	L			축 Shaft	허브 Hub	수량 n	규격 Size	잠금 토크 Locking Torque
mm	mm	mm	mm	mm	mm	mm	Ft KN	Mt Nm	P N/mm <sup>2</sup>	P1 N/mm <sup>2</sup>			Ts Nm
19	47	56	17	22	28	34	26	243	234	94	5	M6x20	17
20	47	56	17	22	28	34	26	256	222	94	5	M6x20	17
22	47	56	17	22	28	34	26	282	202	94	5	M6x20	17
24	50	59	17	22	28	34	31	368	222	106	6	M6x20	17
25	50	59	17	22	28	34	31	383	213	106	6	M6x20	17
28	55	64	17	22	28	34	31	429	190	97	6	M6x20	17
30	55	64	17	22	28	34	31	460	177	97	6	M6x20	17
32	60	69	17	22	28	34	41	655	222	118	8	M6x20	17
35	60	69	17	22	28	34	41	716	203	118	8	M6x20	17
38	65	74	17	22	28	34	41	778	187	109	8	M6x20	17
40	65	74	17	22	28	34	41	819	178	109	8	M6x20	17