



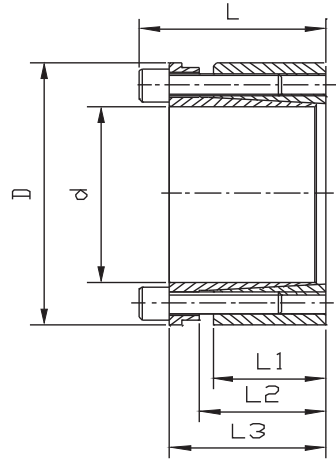
REACH 04

권장치수

Recommended Dimensions:

축 : h8 Shaft: h8

허브 : H8 Hub: H8



치수 Dimensions						전달된 축방향의 힘 Transmitted Axial Force	전달된 토크 Transmitted Torque	접촉 압력 Contacting Pressure		DIN912-12.9 잠금 나사 DIN912-12.9 Locking Screw		
Φd	ΦD	L1	L2	L3	L			축 Shaft	허브 Hub	수량	규격	잠금 토크
mm	mm	mm	mm	mm	mm	Ft	Mt	P	P1	n	Size	Ts
						KN	Nm	N/mm ²	N/mm ²			Nm
19	47	26	31	39	45	32	307	193	78	4	M6x25	17
20	47	26	31	39	45	32	323	183	78	4	M6x25	17
22	47	26	31	39	45	32	355	166	78	4	M6x25	17
24	50	26	31	39	45	48	582	229	110	6	M6x25	17
25	50	26	31	39	45	48	606	220	110	6	M6x25	17
28	55	26	31	39	45	48	679	196	100	6	M6x25	17
30	55	26	31	39	45	48	727	183	100	6	M6x25	17
32	60	26	31	39	45	65	1033	229	122	8	M6x25	17
35	60	26	31	39	45	65	1130	209	122	8	M6x25	17
38	65	26	31	39	45	65	1227	193	113	8	M6x25	17
40	65	26	31	39	45	65	1292	183	113	8	M6x25	17
42	75	30	36	47	55	87	1835	204	115	6	M8x30	41
45	75	30	36	47	55	87	1966	191	115	6	M8x30	41
48	80	30	36	47	55	87	2097	179	107	6	M8x30	41
50	80	30	36	47	55	87	2184	172	107	6	M8x30	41
55	85	30	36	47	55	116	3202	208	135	8	M8x30	41
60	90	30	36	47	55	116	3493	191	127	8	M8x30	41
65	95	30	36	47	55	116	3784	176	120	8	M8x30	41
70	110	40	46	57	67	189	6607	199	127	8	M10x35	83
75	115	40	46	62	72	189	7079	186	121	8	M10x35	83
80	120	40	46	62	72	189	7551	174	116	8	M10x35	83
85	125	40	46	62	72	236	10029	205	139	10	M10x35	83
90	130	40	46	62	72	236	10619	193	134	10	M10x35	83
95	135	40	46	62	72	236	11209	183	129	10	M10x35	83
100	145	46	52	77	89	275	13738	176	121	8	M12x45	145
110	155	46	52	77	89	275	15111	160	114	8	M12x45	145
120	165	46	52	77	89	343	20606	183	133	10	M12x45	145
130	180	46	52	77	89	412	26788	203	147	12	M12x45	145
140	190	51	59	84	98	373	26142	154	114	8	M14x45	230
150	200	51	59	84	98	467	35016	180	135	10	M14x45	230
160	210	51	59	84	98	467	37351	169	129	10	M14x45	230
170	225	51	59	84	98	560	47617	191	144	12	M14x45	230

치수 Dimensions						전달된 축 방향의 힘 Transmitted Axial Force	전달된 토크 Transmitted Torque	접촉 압력 Contacting Pressure		DIN912-12.9 잠금 나사 DIN912-12.9 Locking Screw		
Φd	ΦD	L1	L2	L3	L			축 Shaft	허브 Hub	수량 n	규격 Size	잠금 토크 Locking Torque
mm	mm	mm	mm	mm	mm	Ft KN	Mt Nm	P N/mm ²	P1 N/mm ²			Ts Nm
180	235	51	59	84	98	560	50418	180	138	12	M14x45	230
190	250	51	59	84	98	700	66526	213	162	15	M14x45	230
200	260	51	59	84	98	700	70027	202	156	15	M14x45	230
220	285	64	72	100	116	757	83243	158	122	12	M16X60	355
240	305	64	72	100	116	946	113517	182	143	15	M16X60	355
260	325	64	72	100	116	1135	147560	201	161	18	M16X60	355
280	355	75	83	123	141	1226	171582	172	136	16	M18X80	485
300	375	75	83	123	141	1379	206809	181	145	18	M18X80	485
320	405	90	98	142	162	1766	282493	181	143	18	M20X100	690
340	425	90	98	142	162	2060	350180	199	159	21	M20X100	690
360	455	110	118	166	188	2164	389480	161	127	18	M22X110	930
380	475	110	118	166	188	2524	479634	178	142	21	M22X110	930
400	495	110	118	166	188	2524	504878	186	150	21	M22X110	930

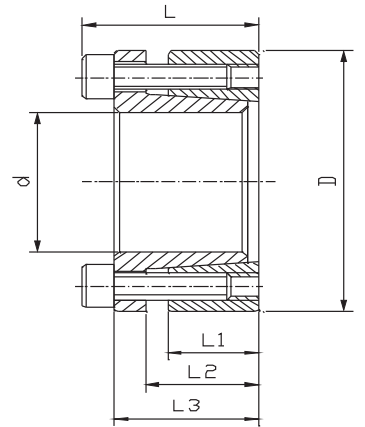
REACH 05

권장치수

Recommended Dimensions:

축 : h8 Shaft: h8

허브 : H8 Hub: H8



치수 Dimensions						전달된 축 방향의 힘 Transmitted Axial Force	전달된 토크 Transmitted Torque	접촉 압력 Contacting Pressure		DIN912-12.9 잠금 나사 DIN912-12.9 Locking Screw		
Φd	ΦD	L1	L2	L3	L			축 Shaft	허브 Hub	수량 n	규격 Size	잠금 토크 Locking Torque
mm	mm	mm	mm	mm	mm	Ft KN	Mt Nm	P N/mm ²	P1 N/mm ²			Ts Nm
19	47	17	22	28	34	29	273	262	106	5	M6x20	13
20	47	17	22	28	34	29	287	249	106	5	M6x20	13
22	47	17	22	28	34	29	316	227	106	5	M6x20	13
24	50	17	22	28	34	34	413	249	120	6	M6x20	13
25	50	17	22	28	34	34	431	239	120	6	M6x20	13
28	55	17	22	28	34	34	482	213	109	6	M6x20	13
30	55	17	22	28	34	34	517	199	109	6	M6x20	13
32	60	17	22	28	34	46	734	249	133	8	M6x20	13
35	60	17	22	28	34	46	803	227	133	8	M6x20	13
38	65	17	22	28	34	46	872	210	122	8	M6x20	13